

Junior GAS

oilon[®]

Gas Burners Junior Gas G25, G35, G65, G80

Environmentally friendly burner technology

Oilon Junior Gas is a natural or liquefied gas burner intended for detached house heating systems. It is a result of a large product development project. Under its outer cover of fine style, the long-time experience of Oilon and the state of the art technology are combined together. The important characteristics of the Junior Gas burners are reliability, high efficiency, low-emissions, and service friendliness. Mainly recyclable materials are used in the burners and the burners are manufactured and approved as complying with the specifications of the standard SFS-EN 676.

In the Oilon Group, the ISO 9001 certified quality system and the ISO 14001 environmental system are complied with.

Oilon Junior Gas G25



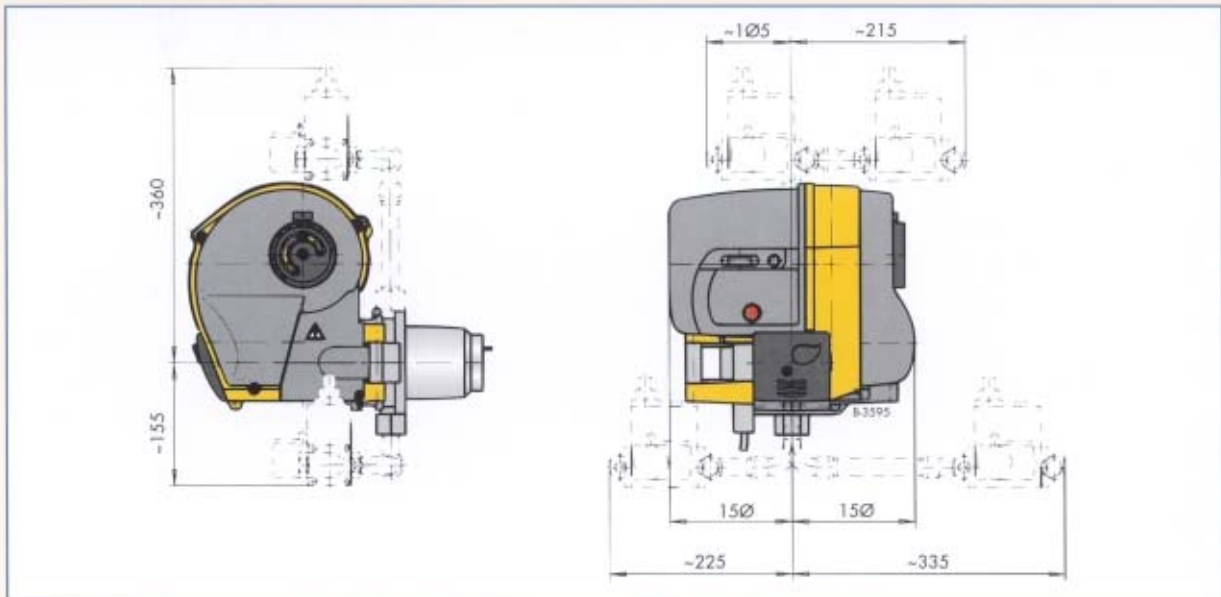
The indicating light at the rear of the housing indicates that the flame is burning.



The current trough the flame detector is easily measurable using a completely switched assembly.



The burner turns to both sides and is easy to install and to maintain.



Oilon Junior Gas burners are fully automatic gas burners. These burners can be used in most heating systems, e.g. warm water boilers, steam boilers and warm air generators.

Gases to be used

Natural gas:

- for the gases of 2nd family, groups H and E (equipment categories 1_{2H} and 1_{2E})
- distribution pressure (=input pressure) to the burner is 20 to 200 mbar

Liquefied gas:

- for the gases of 3rd family, group P (equipment category 1_{3P})
- distribution pressure (=input pressure) to the burner is 30 to 200 mbar

Burner	Capacity kW
Junior Gas	
G25	12 - 25
G35	16 - 34
G65	28 - 65
G80	50 - 82

Capacity and counterpressure diagrams

mbar (x100 Pa)

